

■ Frequency Table:

C410(823-832+863-865)						D105(915-928)									
1	823.500	11	863.500	21	823.250	31	828.250	41	864.250	1	915.500	11	924.500	21	923.000
2	864.500	12	824.000	22	823.750	32	828.750	42	864.750	2	927.500	12	925.500	22	924.000
3	831.500	13	825.000	23	824.250	33	829.250			3	921.500	13	926.500	23	925.000
4	824.500	14	826.000	24	824.750	34	829.750			4	916.500	14	916.000	24	926.000
5	825.500	15	827.000	25	825.250	35	830.250			5	917.500	15	917.000	25	927.000
6	826.500	16	828.000	26	825.750	36	830.750			6	918.500	16	918.000		
7	827.500	17	829.000	27	826.250	37	831.250			7	919.500	17	919.000		
8	828.500	18	830.000	28	826.750	38	831.750			8	920.500	18	920.000		
9	829.500	19	831.000	29	827.250	39	863.250			9	922.500	19	921.000		
10	830.500	20	864.000	30	827.750	40	863.750			10	923.500	20	922.000		

■ RF-RX1 Box Contents:

RF-RX1 865MHz/915MHz, USB-M100, Lanyard, Belt Clip, 2100mAh NiMH rechargeable batteries.

■ Manufacturer's Declaration

This product meets the following standards:

◆ Federal Communications Commission Interference Statement

Notice: The changes or modifications not expressly approved by the party responsible for compliance could void the user's authority to operate the equipment.

FCC INFORMATION

The Federal Communication Commission Radio Frequency Interference Statement includes the following paragraph: The equipment has been tested and found to comply with the limits for a Class B Digital Device, pursuant to part 15 of the FCC Rules. These limits are designed to provide reasonable protection against harmful interference in a residential installation. This equipment generates, uses and can radiate radio frequency energy and, if not installed and used in accordance with the instruction, may cause harmful interference to radio communication. However, there is no guarantee that interference will not occur in a particular installation. If this equipment does cause harmful interference to radio or television reception, which can be determined by turning the equipment off and on, the user is encouraged to try to correct the interference by one or more of the following measures:

- Reorient or relocate the receiving antenna.
- Increase the separation between the equipment and receiver.
- Connect the equipment into an outlet on a circuit different from that to which the receiver is connected.
- Consult the dealer or an experienced radio/TV technician for help.

◆ WEEE Statement

Electrical and electronic equipment must be disposed of at the end of their lifespan separately from household waste. Please dispose of this equipment at your local waste collection or recycling center. Please help to protect our environment.



◆ Safety and Electromagnetic Emissions Certificates

Standard Compliance

- RoHs compliant

Certificates (country dependent)

- CE
- NCC
- C-TICK
- TELEC
- FCC

Version:9080-015-D4-1124

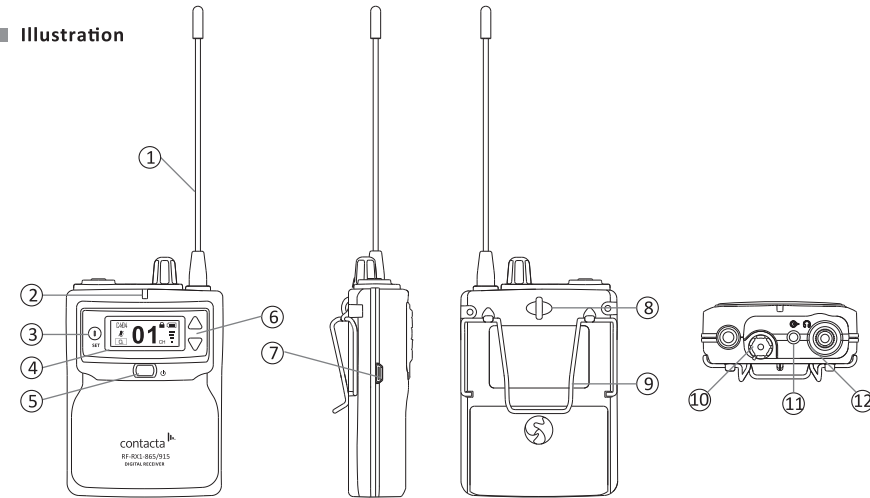


Contacta Systems Ltd
Office 13, Dana Estate
Transfesa Road
Paddock Wood
TN12 6UT
(Tel) +44 (0) 1732 223900 (UK)
sales@contacta.co.uk

Contacta Inc USA
4025 Tampa Rd,
Suite 1107A,
Oldsmar, FL 34677
(Tel) +1 616 392 3400 (USA & Canada)
info@contactainc.com

Digital UHF Bodypack Receiver RF-RX1-865/915 - User Manual

■ Illustration

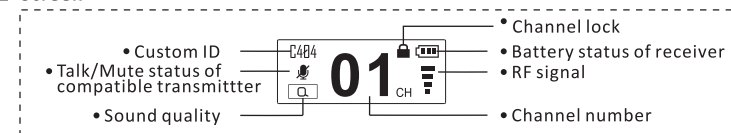


- ① Flexible Antenna (Fixed. Do not attempt to remove)
- ② Power / Rx LED indicator
- ③ Set button
- ④ Backlit screen
- ⑤ Power button
- ⑥ Up / Down button
- ⑦ Charging port (when NiMH battery applied)
- ⑧ Lanyard hole(feed lanyard through)
- ⑨ Belt clip
- ⑩ Volume dial
- ⑪ 3.5 mm audio-out jack (for use with RF-NL1 and RF-IEH)
- ⑫ 3.5 mm headphone jack (for use with RF-NL1 and RF-IEH or RF-HP1)

■ RF-RX1 LED colour indication status:

- Steady blue** = Indicates a successful pairing to a transmitter, and also indicates when a battery is full during a charging cycle.
- Flashing blue** = Indicates RX1 receiver disconnected from a transmitter when a battery is full during a charging cycle.
- Steady red** = Indicates a succesful pairing to a transmitter, and indicates low battery - charge soon.
- Flashing red** = Indicates a failure pairing to a transmitter, and indicates low battery - charge soon.

■ Screen



■ General operation

◆ Power on

Press and hold the power button for 1 second to turn the receiver on.

◆ Adjust channel manually

• Channel lock is activated

The screen will automatically be locked (🔒) when the receiver is on and idle for 5 seconds. To unlock the receiver, press both ▲ and ▼ buttons for 1 second until 🔒 symbol disappears.

Now, press the ▲ or ▼ button to select another preferred channel. Once the newly selected channel is determined, press the set button again to confirm the selection and then 🔒 symbol will display again.

• Channel lock is de-activated

Simply short press the ▲ or ▼ button to select another preferred channel. The newly selected channel will automatically be determined after the receiver is idle for 1 second.

◆ Check channel frequency

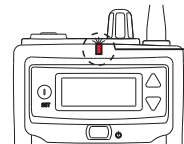
Short press the set button to check the frequency of selected channel. The receiver will return back to the Home Screen after being idle for 2 seconds.

◆ **Power off**

Press and hold the power button for 2 seconds to turn the receiver off.

◆ **Micro-USB connection (Only necessary if RF-DC6/RF-DC24 is not used)**

- **Charging:** Micro-USB connection will be indicated on screen as “charging” function only when receiver is powered off before being connected.

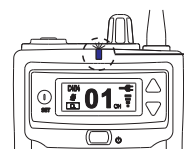


- Steady red: Charging
- Steady blue: Fully charged



Be sure rechargeable batteries are inserted into the receiver before charging.

- **Power supply:** If the receiver is connected with micro-USB cable while powered on, this connection is indicated as “power supply” and symbol will show up on the screen.



- The LED indicator will appear as steady blue when power is provided.

■ **Advanced Settings**

◆ **Setting adjustment**

1. To enter settings mode, switch off the receiver then, press and hold both set and power buttons simultaneously to turn the receiver on.
2. “Setting” mode will be entered successfully for manual adjustments.
3. Press the ▲ or ▼ button to scroll options. See setting menu below.
4. Press the set button again to confirm the selection and exit the settings menu.
5. To leave the “setting” mode, find “EXIT” in the menu and press the set button once more.

● QUALITY	This refers to sound quality of the receiver. ① HQ: Higher ② Q (default): Regular <i>Note: HQ will be the only option for limited bands.</i>
● LOCK	Channel will automatically be locked when the receiver is on. ① ON (default) ② OFF
● SQUELCH	This refers to signal quality of the receiver. The better the signal quality, the shorter the operation range. ① HIGH: Operation range will be shorter. ② LOW (default): Operation range will be greater.
● AUDIO VOLUME	This refers to the volume of audio-out. ① HIGH ② MID (default) ③ LOW
● AUTO PWR-ON	The receiver will automatically be turned on when removed from the charger. ① ON ② OFF (default)
● AUTO PWR-OFF	The receiver will automatically be turned off after being idle for 20 mins. ① ON (default) ② OFF
● EXIT	—

②

◆ **Reset to Factory Settings**

1. Press and hold ▲, ▼ and power buttons simultaneously to turn the receiver on.
2. The receiver will return to default settings automatically.
3. The following lists RF-RX1 default settings.
 - Channel: 01
 - Quality: Q (HQ for limited bands)
 - Lock: ON
 - Squelch: LOW
 - Audio volume: MID
 - Auto pwr-on: OFF
 - Auto pwr-off: ON
4. If a factory reset is performed, the following settings will be reset to default.
 - Custom names will be removed
 - All channels will become open
 - All defined ID's will be removed

◆ **Using the optional programming software (OKAY-CON-SW) if supplied with your order:**

1. Press the power button when the transmitter is connected to PC. Then will show up on the screen which means the receiver is ready for programming.
2. Software OK-CON-SW is available for following setting adjustments (see OK-CON-SW manual for additional instructions).
 - Custom channel names
 - Unique ID number
 - Specific Channel Selection
 - Reset settings
3. After channel/setting programming is completed and uploaded onto the receiver, please ensure that the device is turned off correctly to ensure that settings are saved. Do not disconnect during programming.

■ **Troubleshooting**

Trouble	Solution
◆ Why can't I turn the receiver on?	<ul style="list-style-type: none"> ● Check if batteries are inserted in the receiver. ● Check if the polarity of batteries are correctly inserted. ● Check if batteries are operational.
◆ Why can't the receiver connect to/pickup from the transmitter?	<ul style="list-style-type: none"> ● Check if the frequency of transmitter and receiver matches. ● Check if “quality” setting (Q / HQ) on both transmitter and receiver is equal. ● Check if selected channel on both transmitter and receiver is equal. ● Check if microphone on transmitter or earphone on receiver is connected well. ● Check if the volume of receiver is tuned at appropriate level. ● Check if the receiver is located within the operational range of the transmitter.
◆ Why do I hear "Hiss" or "Noise" on receiver?	<ul style="list-style-type: none"> ● Check if the earphones on receiver or the microphone on transmitter connects and operates. If not, please try another replacement earphone or microphone. ● If the "Hiss" or "Noise" still exists, please return the receiver / transmitter to your supplier or Contacta for further analysis.

■ **Specifications**

Emission modulation	4 GFSK
Antenna	Flexible antenna
Headphone output	3.5 mm
Line output	3.5 mm
Battery	2 x AA alkaline / rechargeable NiMH battery
Battery life	>10 hours (2,100 mAh rechargeable battery)
Dimensions (DxWxH)	88 x 64 x 29 mm/3.46 x 2.52 x 1.14 in(without antenna)
Weight (without battery)	109 ± 5 g/0.24lbs

Specifications are subject to change without prior notice.

③